



**GIA**  
GEMOLOGICAL INSTITUTE OF AMERICA®

COLORED DIAMOND GRADING REPORT

June 08, 2011

Shape and Cutting Style ..... **Modified Rectangular Brilliant**

Measurements ..... 25.65 x 18.06 x 10.78 mm

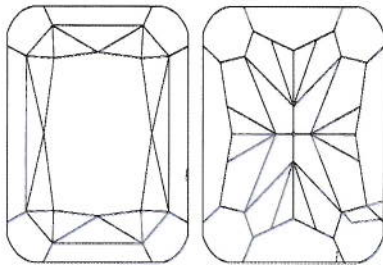
GRADING RESULTS

Carat Weight ..... **43.51 carat**  
 Color ..... **NATURAL**  
 Origin ..... **NATURAL**  
 Grade ..... **FANCY INTENSE**  
 Distribution ..... **YELLOW**  
 Clarity Grade ..... **Even**  
 Clarity Grade ..... **INTERNALLY FLAWLESS**

ADDITIONAL GRADING INFORMATION

Finish  
 Polish ..... Good  
 Symmetry ..... Good  
 Fluorescence ..... None  
 Comments:  
 Surface graining is not shown.  
 Additional extra facets are not shown.

REFERENCE DIAGRAMS



KEY TO SYMBOLS

^ Extra Facet

Red symbols denote internal characteristics (inclusions). Green or black symbols denote external characteristics (blemishes). Diagram is an approximate representation of the diamond, and symbols shown indicate type, position, and approximate size of clarity characteristics. All clarity characteristics may not be shown. Details of finish are not shown.

Facsimile

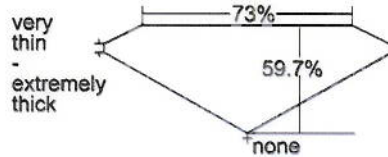
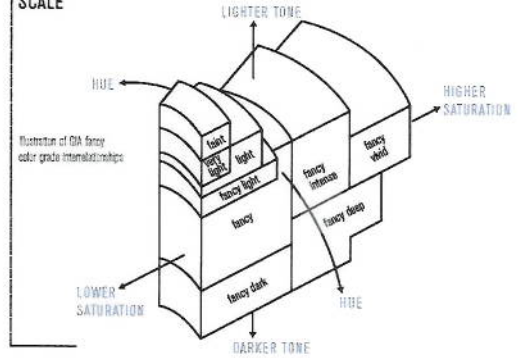
5355 Armada Drive | Carlsbad, CA 92008-4602  
 T: 760-603-4500 | F: 760-603-1814

GIA Laboratories  
 Bangkok Carlsbad Gaborone  
 Johannesburg Mumbai New York  
 www.gia.edu

GIA CLARITY SCALE



GIA COLORED DIAMOND SCALE



Profile not to actual proportions

This is a digital representation of the original GIA Report. To verify the information herein, please refer to [reportsback.gia.edu](http://reportsback.gia.edu). This Report is not a guarantee, valuation or appraisal and contains only the characteristics of the diamond described herein after it has been graded, tested, examined and analyzed by the laboratory providing this Report ("GIA") and/or has been inscribed using the techniques and equipment used by GIA at the time of the examination and/or inscription. Inscriptions reported in this document are not a guarantee, validation, or warranty of a diamond's quality, country of origin or source, or that the diamond will be identifiable by the inscription in the future (false inscriptions can be removed). GIA makes no representation concerning any trademark, word, or symbol which is inscribed by GIA or which is identified on this Report. The recipient of this Report may wish to consult a credentialed jeweler or gemologist about the information contained herein.

For terms, conditions, and limitations, see [www.gia.edu/terms](http://www.gia.edu/terms) or call 800-421-7280 or 760-603-4500.



# Natural Diamond Grading Report

## 43.51 ct Cushion Modified brilliant cut

U.S. MARSHALLS  
NO. 7 OHIO  
CLEVELAND, OHIO

RECEIVED  
DEPARTMENT  
OF JUSTICE

### Dimensions:

*Length*- 25.70mm

*Width*- 18.11mm (1.42 length to width ratio)

*Depth*- 10.78mm

### Diamond Quality Grades:

#### *Cut*- Fair

Cushion Modified brilliant cut

Brilliant cut crown (25 facets)

Brilliant cut pavilion (24 facets)

Very Thin to Extremely Thick faceted girdle

Table- 72.88%, Depth- 59.5%

*Symmetry* - Fair

*Polish* - Good



Actual Size

#### *Color*- Fancy Intense Yellow

*Fluorescence*- Faint, milky yellowish White (Iw)

*Distribution*- Very Even, no visible zoning

#### *Clarity*- Internally Flawless (IF)

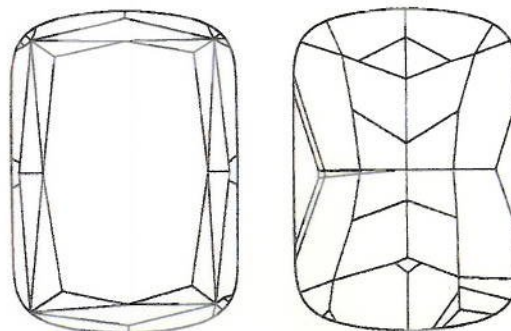
*Texture*- Crystal, very very slight internal graining, moderate stress

*Enhancements*- None

*Certification*- GIA-GTL Colored Diamond Grading Report



Enlargement



Faceting Arrangement

**COLOR:** The color has been determined to be Fancy Intense Yellow. The diamond's color was measured against a GIA certified Fancy Vivid Yellow diamond and a GIA certified Fancy Intense Yellow diamond. The diamond in question was found to be slightly more saturated in color than the testing master Fancy Intense Yellow stone. It was found to be less saturated than the Vivid stone, also being closer in color to the intense stone than the vivid. The comparators also revealed that the 43 carat diamond was a pure yellow hue with no green or orange modifying color.



**COLOR DISTRIBUTION:** Very even color distribution, no visible zoning present. I also reviewed the diamond under submersion and found no visible zoning.

**FLUORESCENCE:** Faint, milky yellowish white under long wave ultraviolet light. Under short wave ultraviolet light the stone was very very weak (almost completely inert).

**CLARITY:** Internally Flawless, no internal flaws were found within the stone. Very very slight internal graining was found and no color related graining was found. Very slight surface graining was found. The stone was found to be "crystal" in appearance. Moderate stress was revealed through cross polarized light.



**POLARIZED LIGHT  
(OBVERSE)**



**POLARIZED LIGHT SUBMERGED  
(REVERSE)**